

Excelsior® One™ CW Lasers

New Compact Direct Diode and DPSS Lasers



The Spectra-Physics Excelsior One series is a new line of UV, visible, and near IR CW lasers based on Spectra-Physics' It's in the Box™ design with the laser head and controller combined in a single, compact package. The Excelsior One series is available as free space and fiber-coupled lasers that include twelve different wavelengths and delivers up to 500 mW of average power. The series includes both direct diode and diode-pumped solid state (DPSS) laser technology in a compact package offering multi-mode and single frequency options using the exact same mechanical footprint.

One Platform for 12 Wavelengths – 375, 405, 445, 473, 488, 515, 532, 542, 561, 642, 785, and 1064 nm

The Excelsior One series offers 1064 nm in the infrared, while the visible wavelengths options at 473, 515, 532, 542, and 561 nm are based on patented frequency doubling techniques for the DPSS models. Direct diode models – with the option of high speed modulation and serial software interface – are available at 375, 405, 445, 488, 642, and 785 nm. For ease-of-use and laser power control, all Excelsior One lasers are equipped with an RS 232 software interface.

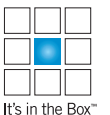
The Excelsior One Advantage

- Largest portfolio of up to 12 different wavelengths options
- High brightness direct diode technology
- One platform offering free space and fiber-coupled models
- One box with laser head and controller
- Exceptional low optical noise on single frequency and multi-mode models
- High speed TTL for all direct diode models
- RS 232 software interface for all lasers



Applications

- Flow cytometry
- Confocal microscopy
- Micro-array readers
- Laser-induced fluorescence
- Raman spectroscopy
- DNA sequencing
- Interferometry
- Semiconductor inspection and metrology



It's in the Box™

Excelsior One CW Lasers

The Excelsior One lasers are ideal for customers who rely on modularity in their instrument design. With the Excelsior One series, customers can choose among over 50 different versions in a single footprint and a single supply voltage. This enables maximum independence and the fewest design constraints.

Fiber-Coupled Models

The Excelsior One series is also offered with fiber-coupled options from 405 nm to 1064 nm using single mode, polarization maintaining fibers. These fiber-coupled lasers offer outstanding power stability in harsh operating environments, and a polarization extinction ratio (PER) of less than -30 db over the specified operating temperature range. The fiber-coupled Excelsior One lasers are terminated with a FC/APC connector.

Free Space 375–515 nm Specifications¹

	Excelsior One 375	Excelsior One 405	Excelsior One 445	Excelsior One 473	Excelsior One 488	Excelsior One 515
Output Characteristics						
Wavelength	375 ±5 nm	405 ±5 nm	445 ±5 nm	473 nm	488 nm ±5 nm	515 nm
Output Power	70 mW	50, 100, 200 mW	100 mW	10, 50 mW	50, 100 mW	50 mW
Longitudinal Mode	Multi	Multi	Multi	Single	Multi	Single
Spectral Linewidth	<0.5 nm	<1 nm	<1 nm	<0.01 pm	<1.5 nm	<0.01 pm
Technology	Direct Diode	Direct Diode	Direct Diode	DPSS	Direct Diode	DPSS
Beam Quality, TEM ₀₀	<1.3	<1.3	<1.3	<1.1	<1.3	<1.1
Beam Diameter (1/e ²)	0.7 ±0.07 mm					
Beam Divergence	<1.0 mrad	<1.1 mrad	<1.2 mrad	<1.1 mrad	<1.3 mrad	<1.2 mrad
Beam Ellipticity	1 ±0.1	1 ±0.1	1 ±0.1	1 ±0.15	1 ±0.1	1 ±0.15
Polarization Ratio	>100:1					
Beam Pointing Stability	<6 μrad/°C					
Noise (20 Hz – 20 MHz)	<0.2% rms	<0.2% rms	<0.2% rms	<0.3% rms	<0.3% rms	<0.5% rms
Power Stability (over 8 hours)	<±2%					
Warm-up Time	<5 min					
Beam Height	19 mm					
Operating Voltage	5 VDC					
Maximum Power Consumption	<10 W	<10 W	<10 W	<35 W	<10 W	<35 W
Operating Temperature	10–40°C (80% relative humidity)					
Maximum Laser Head Base Plate Temperature	50°C					
Storage Temperature Range	-20 to +60°C					
Dimensions (L x W x H)	3.94 x 1.57 x 1.57 in (100 x 40 x 40 mm)					

1. Due to our continuous product improvement program, specifications may change without notice.

Fiber Coupled 405–532 nm Specifications¹

	Excelsior One 405-FC	Excelsior One 445-FC	Excelsior One 473-FC	Excelsior One 488-FC	Excelsior One 515-FC	Excelsior One 532 Multi Mode-FC	Excelsior One 532 Single Mode-FC
Output Characteristics							
Wavelength	405 ±5 nm	445 ±5 nm	473 nm	488 ±5 nm	515 nm	532 nm	532 nm
Output Power	70 mW	70 mW	40 mW	70 mW	40 mW	40 mW	150 mW
Longitudinal Mode	Multi	Multi	Single	Multi	Single	Multi	Single
Spectral Linewidth	<1 nm	<1 nm	<0.01 pm	<1.5 nm	<0.01 pm	<0.5 nm	<0.01 pm
Technology	Direct Diode	Direct Diode	DPSS	Direct Diode	DPSS	DPSS	DPSS
Beam Quality, TEM ₀₀	<1.1						
Power Stability (constant ambient temperature)	<±1.0% (over 8 hours)						
Power Stability vs Ambient Temperature Changes	<±3.0% (over 8 hours)						
Noise (20 Hz – 20 MHz)	<0.5 %						
Mode Field Diameter, typical	3.5 ±0.7 μm	3.7 ±0.7 μm	3.7 ±0.7 μm	4.0 ±0.7 μm	4.3 ±0.7 μm	4.4 ±0.7 μm	4.4 ±0.7 μm
Fiber Numerical Aperture (NA)	0.07–0.1						
Polarization Ratio	>100:1						
Polarization Orientation Tolerance (E-Vector)	90 ±4°						
Beam Ellipticity	1 ±0.1						
Warm-up Time	<5 min						
Fiber Length	1 m ±100 mm						
Fiber Connector	FC/APC or FC/AFC (optional)						
Fiber Jacket Type	ø3 mm PVC or SUS						
Operating Voltage	+5 VDC						
Maximum Power Consumption	<10 W	<10 W	<35 W	<10 W	<35 W	<35 W	<35 W
Operating Temperature	10 to 40°C (80% relative humidity)						
Maximum Laser Head Base Plate Temperature	50°C						
Storage Temperature Range	-20 to +60°C						
Dimensions (L x W x H)	3.94 x 1.57 x 1.57 in (100 x 40 x 40 mm)						

1. Due to our continuous product improvement program, specifications may change without notice.

Free Space 532–1064 nm Specifications¹

	Excelsior One 532 Multi Mode	Excelsior One 532 Single Mode	Excelsior One 542	Excelsior One 561	Excelsior One 642	Excelsior One 785	Excelsior One 1064
Output Characteristics							
Wavelength	532 nm	532 nm	542 nm	561 nm	642 ±3 nm	785 ±10 nm	1064 nm
Output Power	50 mW	50, 100, 150, 200 mW	50 mW	20, 50, 75, 100 mW	60, 100 mW	45 mW	500 mW
Longitudinal Mode	Multi	Single	Single	Single	Multi	Multi	Single
Spectral Linewidth	<0.5 nm	<0.01 pm	<0.01 pm	<0.01 pm	<0.5 nm	<0.01 nm	<0.04 pm
Technology	DPSS	DPSS	DPSS	DPSS	Direct Diode	Direct Diode	DPSS
Beam Quality, TEM ₀₀	<1.1	<1.1	<1.1	<1.1	<1.3	<1.3	<1.1
Beam Diameter (1/e ²)	0.7 ±0.07 mm						0.8 ±0.1 mm
Beam Divergence	<1.2 mrad	<1.2 mrad	<1.2 mrad	<1.2 mrad	<1.7 mrad	<2.1 mrad	<2.1 mrad
Beam Ellipticity	1 ±0.1				1 ±0.1		
Polarization Ratio	>100:1						
Beam Pointing Stability	<6 µrad/°C						
Noise (20 Hz – 20 MHz)	<0.5% rms	<0.2% rms	<0.2% rms	<0.2% rms	<0.2% rms	<0.2% rms	<0.2% rms
Power Stability (over 8 hours)	<±2%						
Warm-up Time	<5 min				<5 min		
Beam Height	19 mm						
Operating Voltage	+5 VDC						
Maximum Power Consumption	<35 W	<35 W	<35 W	<35 W	<10 W	<10 W	<35 W
Operating Temperature	10–40°C (80% relative humidity)						
Maximum Laser Head Base Plate Temperature	50°C						
Storage Temperature Range	-20 to +60°C						
Dimensions (L x W x H)	3.94 x 1.57 x 1.57 in (100 x 40 x 40 mm)				3.94 x 1.57 x 1.57 in (100 x 40 x 40 mm)		

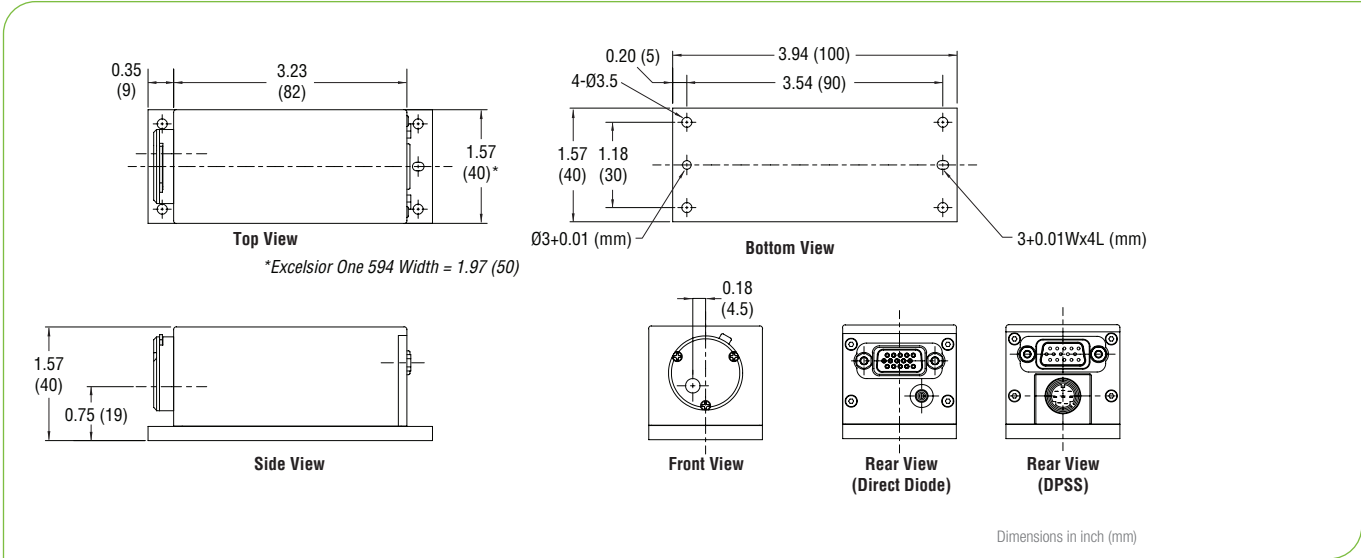
1. Due to our continuous product improvement program, specifications may change without notice.

Fiber Coupled 542–1064 nm Specifications¹

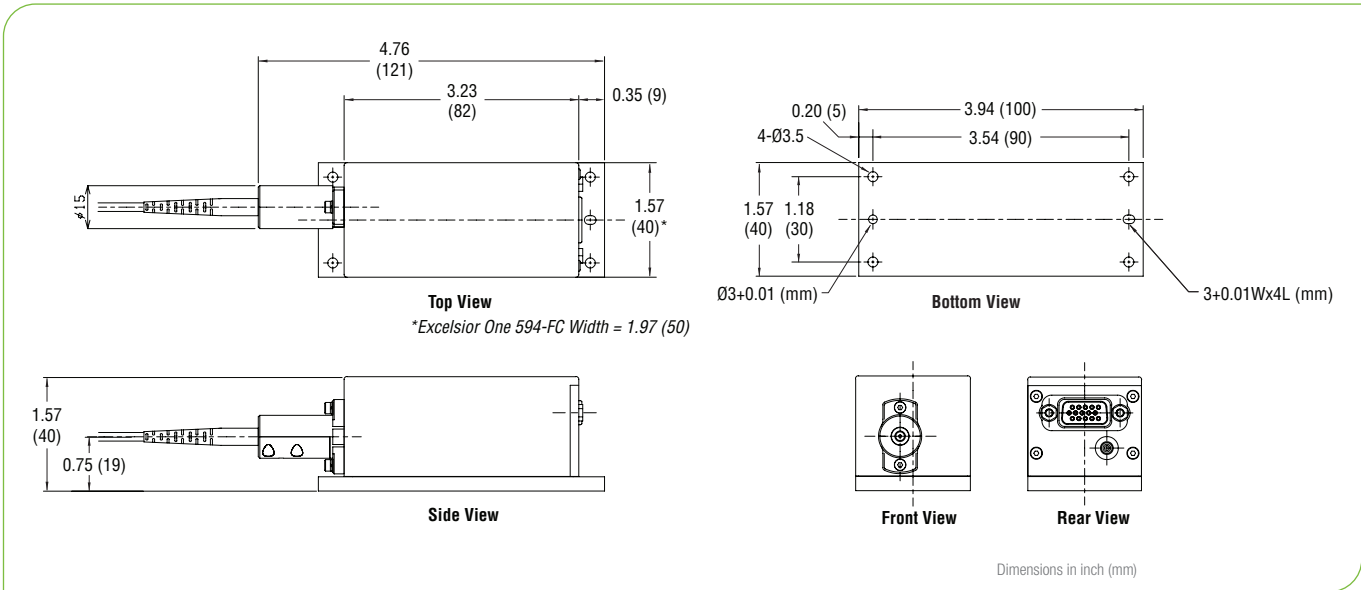
	Excelsior One 542-FC	Excelsior One 642-FC	Excelsior One 785-FC	Excelsior One 1064-FC
Output Characteristics				
Wavelength	542 nm	642 ±3 nm	785 ±10 nm	1064 nm
Output Power	70 mW	70 mW	25 mW	100 mW
Longitudinal Mode	Single	Multi	Multi	Single
Spectral Linewidth	<0.01 pm	<0.5 nm	<0.01 nm	<0.04 pm
Technology	DPSS	Direct Diode	Direct Diode	DPSS
Beam Quality, TEM ₀₀	<1.1			
Power Stability (constant ambient temperature)	<±1.0% (over 8 hours)			
Power Stability vs Ambient Temperature Changes	<±3.0% (over 8 hours)			
Noise (20 Hz – 20 MHz)	<0.5 %	<0.5 %		
Mode Field Diameter, typical	4.5 μm	5.5 μm	5.0 ±0.9 μm	5.9 ±0.9 μm
Fiber Numerical Aperture (NA)	0.07–0.1			
Polarization Ratio	>100:1			
Polarization Orientation Tolerance (E-Vector)	90 ±4°			
Beam Ellipticity	1 ±0.1			
Warm-up Time	<5 min	<5 min		
Fiber Length	1 m ±100 mm			
Fiber Connector	FC/APC or FC/AFC (optional)			
Fiber Jacket Type	ø3 mm PVC or SUS			
Operating Voltage	+5 VDC			
Maximum Power Consumption	<35 W	<10 W	<10 W	<35 W
Operating Temperature	10 to 40°C (80% relative humidity)			
Maximum Laser Head Base Plate Temperature	50°C			
Storage Temperature Range	-20 to +60°C			
Dimensions (L x W x H)	3.94 x 1.57 x 1.57 in (100 x 40 x 40 mm)	3.94 x 1.57 x 1.57 in (100 x 40 x 40 mm)		

1. Due to our continuous product improvement program, specifications may change without notice.

Excelsior One CW Lasers



Excelsior One Free Space Dimensions



Excelsior One Fiber Coupled Dimensions



www.spectra-physics.com

1565 Barber Lane, Milpitas, CA 95035 USA
 PHONE: 1-800-775-5273 1-408-980-4300 FAX: 1-408-980-6921 EMAIL: sales@spectra-physics.com

Belgium	+32-(0)800-11 257	belgium@newport.com	Korea	+82-31-8021-1600	korea@spectra-physics.com
China	+86-10-6267-0065	info@spectra-physics.com.cn	Netherlands	+31-(0)30 6592111	netherlands@newport.com
France	+33-(0)1-60-91-68-68	france@newport.com	Singapore	+65-6664-0040	sales.sg@newport.com
Germany / Austria / Switzerland	+49-(0)6151-708-0	germany@newport.com	Taiwan	+886-3-575-3040	sales@newport.com.tw
Japan	+81-3-3556-2705	spectra-physics.jp@mksinst.com	United Kingdom	+44-1235-432-710	uk@newport.com